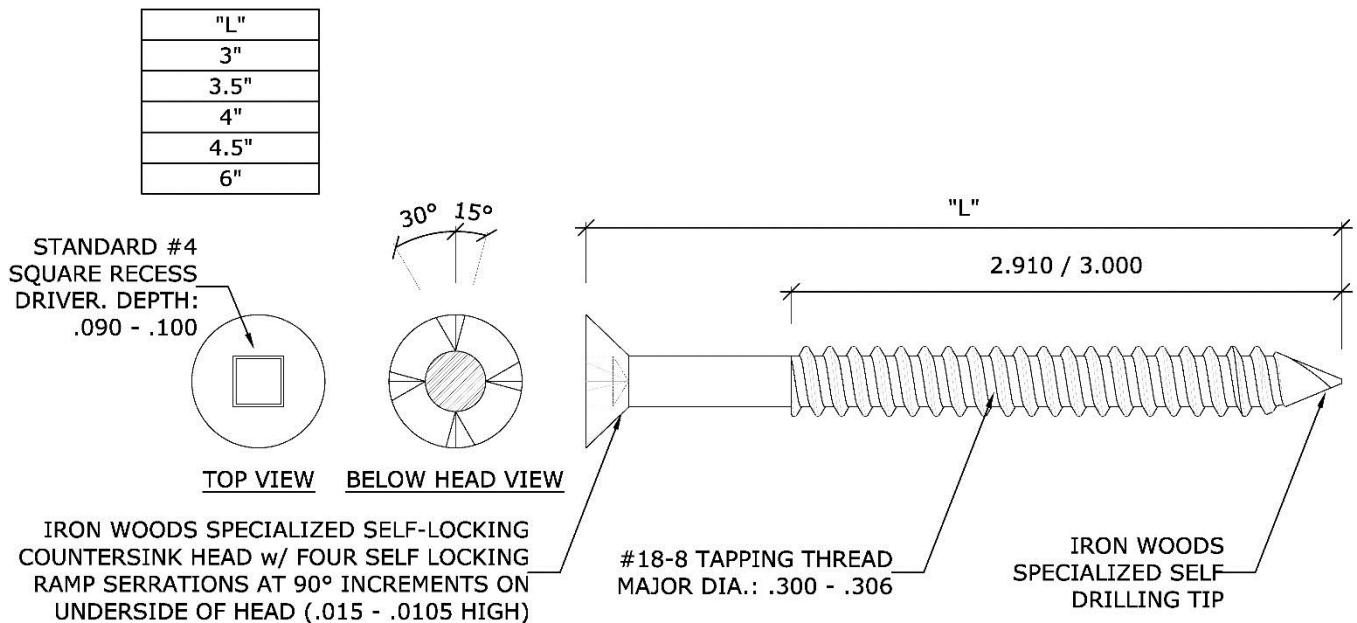


Iron Woods® Boardwalk Screws

MODEL TYPES:

- A) IWBWS1883SST302SDTPIP (L = 3")
Description: Iron Woods® Boardwalk Screw #18-8 x 3" T302 Stainless Steel Self Drilling TPI Passivated.
*Available Collated
- B) IWBWS18835SST302SDTPIP (L = 3.5")
Description: Iron Woods® Boardwalk Screw #18-8 x 3.5" T302 Stainless Steel Self Drilling TPI Passivated.
*Available Collated
- C) IWBWS1884SST302SDTPIP (L = 4")
Description: Iron Woods® Boardwalk Screw #18-8 x 4" T302 Stainless Steel Self Drilling TPI Passivated.
*Available Collated
- D) IWBWS18845SST302DTPIP (L = 4.5")
Description: Iron Woods® Boardwalk Screw #18-8 x 4.5" T302 Stainless Steel Self Drilling TPI Passivated.
- E) IWBWS1886SST302DTPIP (L = 6")
Description: Iron Woods® Boardwalk Screw #18-8 x 6" T302 Stainless Steel Self Drilling TPI Passivated.



Submittals:

- "Certificate of Compliance Buy American Act" confirming U.S. Manufacture of screws will be submitted prior to delivery.
- "Certificate of Compliance Dodd-Frank Act" confirming that no Conflict Minerals are contained in or used in production of the screws.